

Using LEDs in external settings

A guide to LED fittings and the appropriate drivers

Introduction

We have a range of LED fittings which are rated IP65-IP68 and these include in ground, wall wash, façade and track options.

Drivers which offer :

- IP 20 drivers which have to be used indoors which include non-dimmable, 1-10 volt dimmable and DMX
- IP65 drivers which can be used externally – 1906 non-dimmable, 1903 non-dimmable and 1916 mains dimmable
- Drivers where cable lengths exceed total length of 70 metres (from driver to the furthest LED fitting)

Exterior LED product range

Wall washes IP 65

Vertigo
(2 way)



Cubeus
(4 way)



Mini 65
(1 way)



Linear surface
-Linear
-IP 65



Linear recessed
-Lucinda
-- IP 65

Façade spotlights IP 68

Spek
(1 way)



Artemis
(3way)



In ground-IP 68

Galli
(1 way)



Magna
(3way)



Taurus (IP 65)- marker light

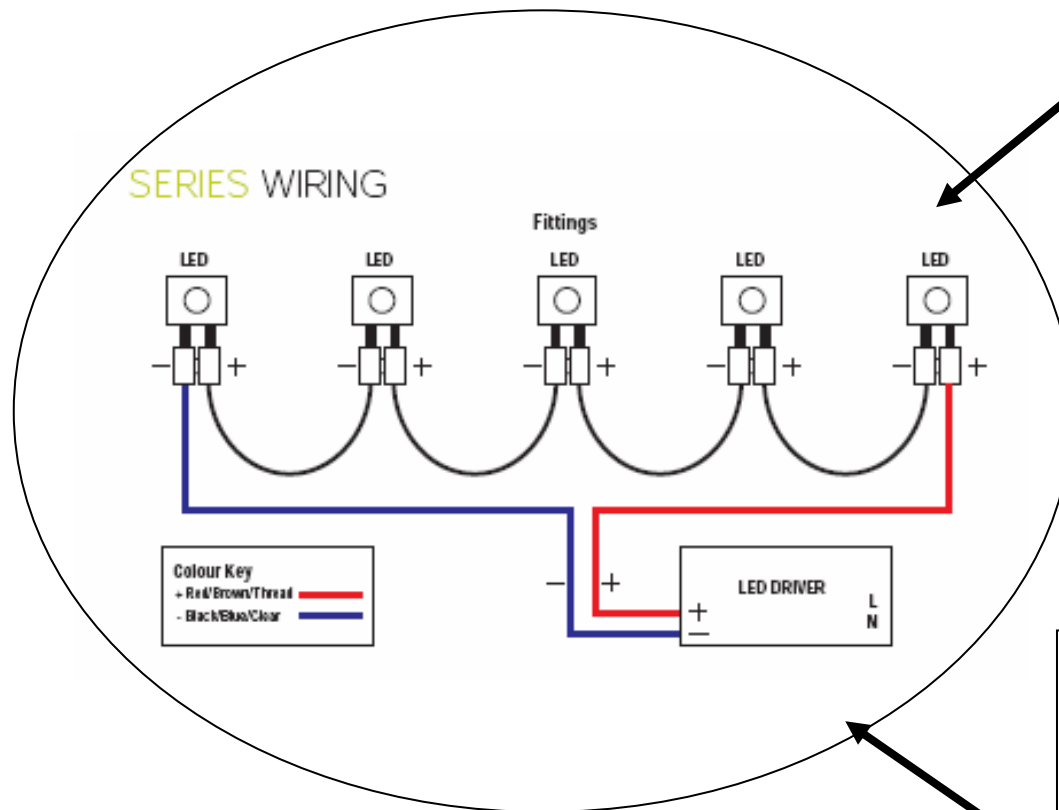


Aqualuna (IP 65)- marker light



Guide to using the correct drivers in given distances

Series Wired LEDs where total cable length is 70m

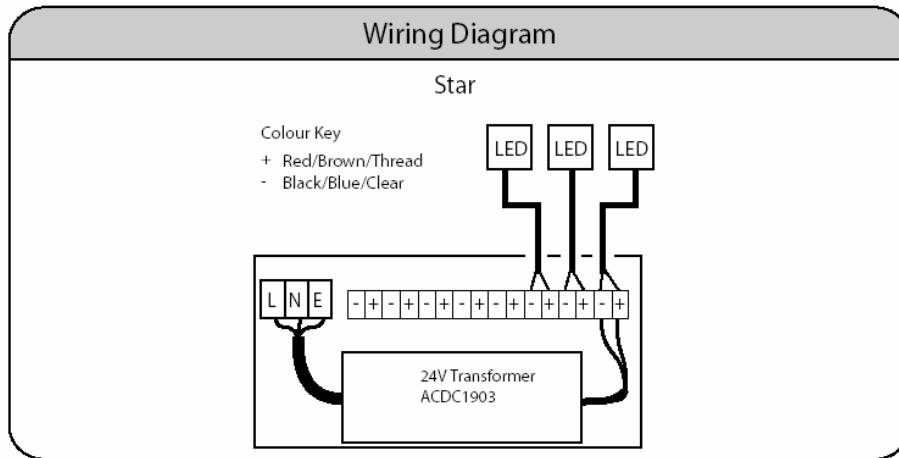


Total cable use is a maximum of 70 metres

Drivers include 1904, 1906, 1909, 1914, 1915, 1916, 1917, 1920.

Drivers may be IP 65 rated for external use or IP 20 where drivers are housed internally

On distances greater than 70 m total cable length – SPECIFY LEDs to have on board drivers and use parallel wiring back to 24volt transformer



Cable Lengths and Quantities

| Fitting | Maximum Number of Fittings | Maximum Cable Length |
|---------|----------------------------|----------------------|
| Cubeus | 6 | 30m |
| Vertigo | 8 | 60m |
| Galli | 8 | 69m |
| Magna | 8 | 28m |
| Spek | 8 | 100m |
| Artemis | 8 | 30m |
| Linton | 4m | 20m |

IMPORATANT

- Use parallel wiring.
- For cable lengths – see chart on right
- **DO NOT CONFUSE WITH SERIES WIRING. USE ONLY WITH Driver 1903. DO NOT USE WITH ANY OTHER DRIVER!**

LONGER CABLE LENGTHS

For Longer cable lengths please contact Us for help and technical solutions